

BROOKS
EQUIPMENT



SANY



FOUR WHEEL DRIVE



COMPACT EXCAVATORS

SY155W

Product Specifications

OPERATING WEIGHT

15,000 kg

GROSS POWER

115 kW / 2000 rpm

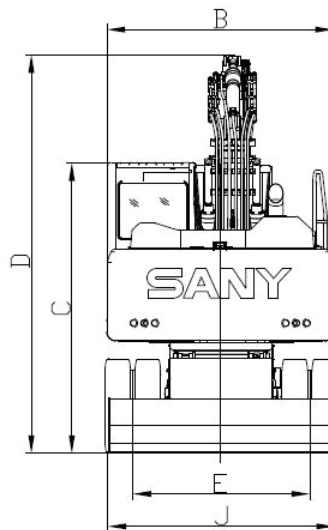
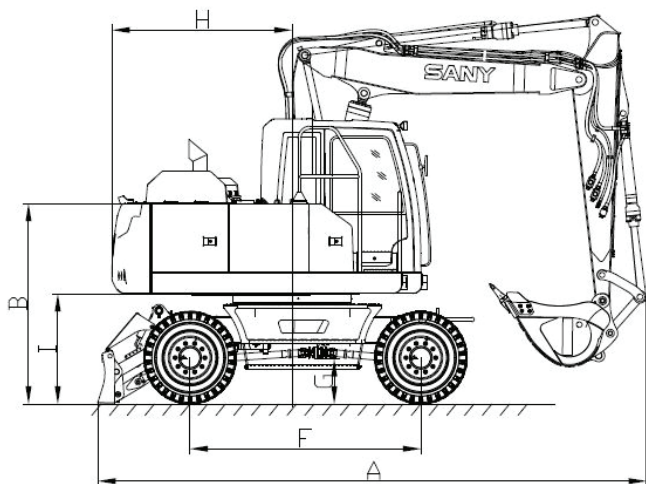
DIG DEPTH

5400mm

ENGINE

Deutz

SANY SY155W WHEELED EXCAVATOR



DIMENSIONS

A Transport Length	8000 mm
B Transport Width	2600 mm
C Total Height (upper part of the cabin)	3200 mm
D Transport Height	4000 mm
E Wheel Tread	1944 mm
F Wheelbase	2600 mm
G Minimum Ground Clearance	360 mm
H Tail Swing Radius	2030 mm
I Counterweight Clearance From Ground	1230 mm
J Blade Width	2490 mm

RANGE

a Max. Digging Height	9950 mm
b Max. Dumping Height	7200 mm
c Max. Digging Depth	5400 mm
d Max. Digging Reach	8900 mm
e Max. Ground Digging Reach	9700 mm
f Height at Min. Swing Radius	7324 mm
g Max. Vertical Digging depth	4500 mm
h Min. Swing Radius	2885 mm

